

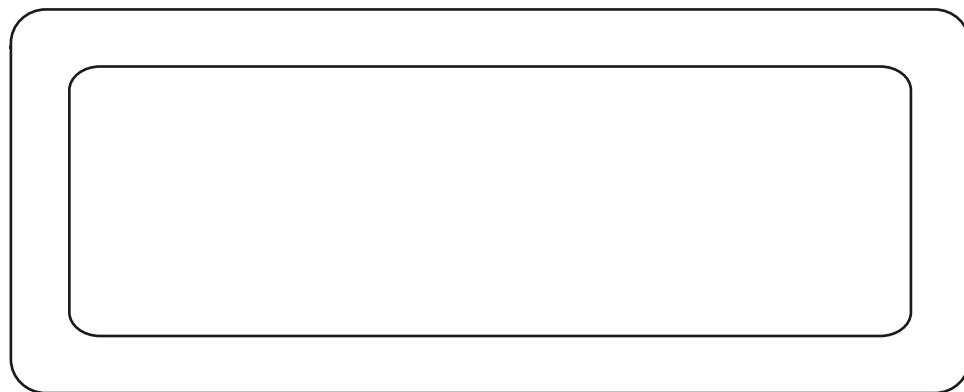
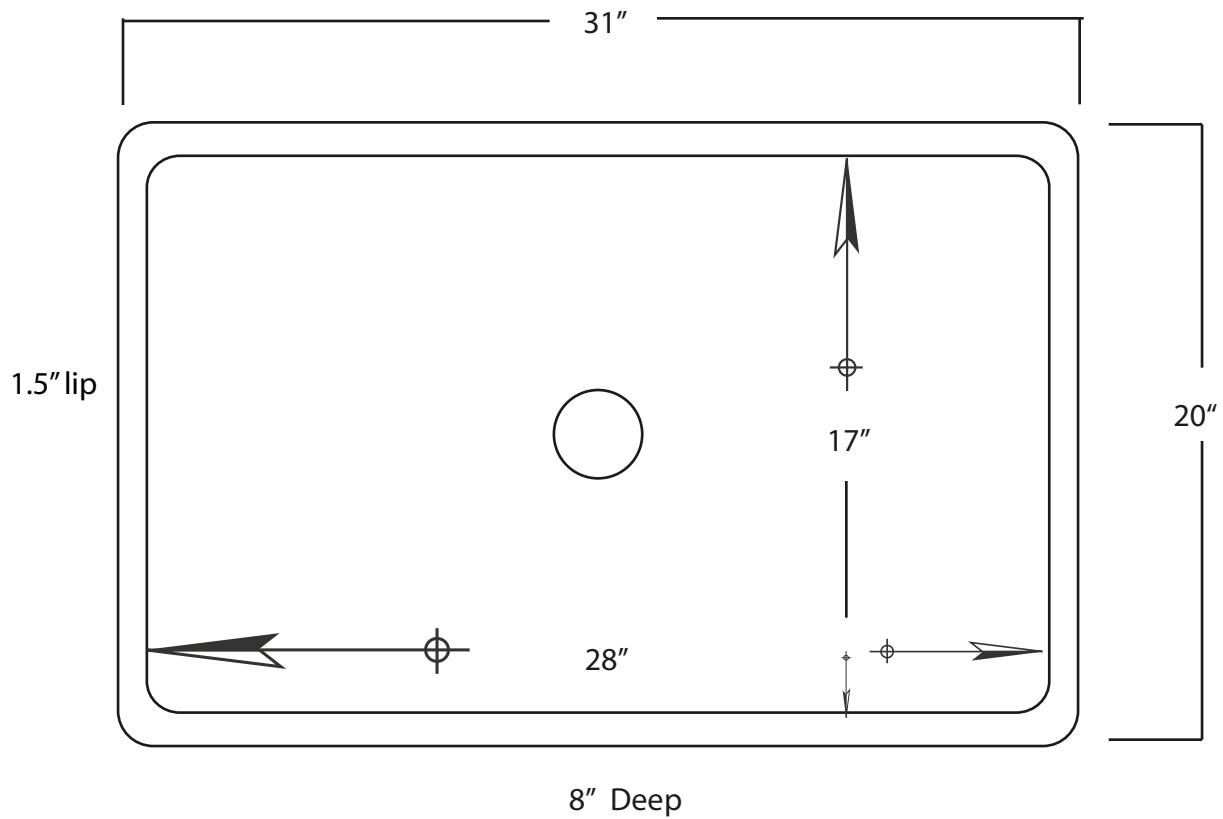
COLUMBIA SPECS 1690/1691/1693

16 GAUGE - 48 OUNCE PER SQUARE FOOT
COPPER, BRASS or STAINLESS STEEL

Drain Diameter 3.5"

FLAT RIM UNDER-COUNTER MOUNT
MAY BE DROP-IN MOUNTED

Please specify to receive appropriate rim treatment
& mounting hardware. (Mounting Hardware included)



Apron OD 31" x 7.25",